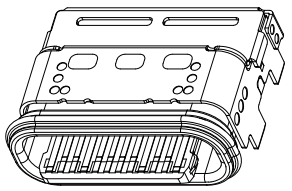
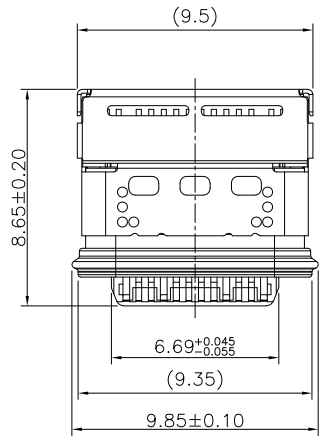


REV.	ECN NO.	LOCATIONS	DESCRIPTION	DATE	DESIGN
A2			Update some details	09/09'25	Johnson

### 3D VIEW



**CUSTOMER DRAWING**

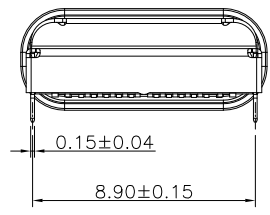
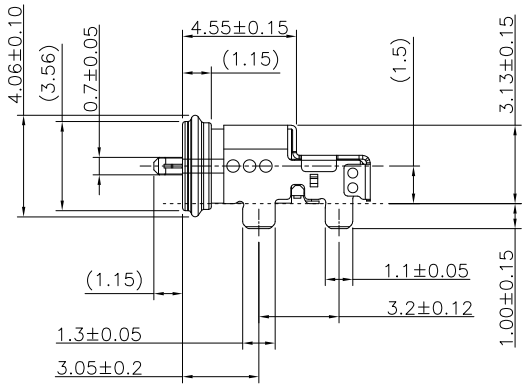
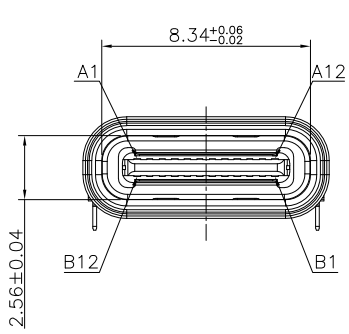
**RoHS Compliant**

**ORDERING INFORMATION**

**MCCFT - W2M1 (XX T)**

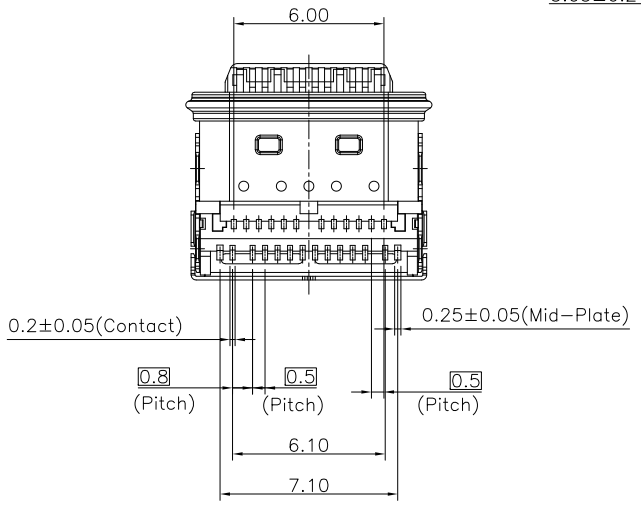
- ① **PRODUCT SERIES:**  
USB C TYPE connector – Receptacle (Female) side.
- ② **ITEM NO.:**  
Right Angle– Dual Row 24pin  
Dip+SMD pin/ Waterproof IPX8

③ **GOLD PLATING :**  
04: 4u".



**NOTES:**

- (1) MATERIALS:
  - HOUSING: HIGH TEMP,UL94 V-0.
  - CONTACTS: COPPER ALLOY.
  - MID PLATE: STAINLESS STEEL.
  - SHELL: STAINLESS STEEL.
  - WATERPROOF RING: RUBBER.
- (2) PLATING:
  - CONTACT: GOLD ON CONTACT AREA OVER NICKEL PLATED OVER ALL.
  - SHELL: NICKEL PLATED OVER ALL.
- (3) MECHANICAL PERFORMANCE:
  - INSERTION FORCE: 5~20N.
  - REMOVAL FORCE: 8~20N.
  - DURABILITY: 10,000 Cycles.
- (4) ELECTRICAL PERFORMANCE:
  - CURRENT RATING:5.0A
  - VOLTAGE RATING:20V
  - LLCR:  
VBUS & GND PINS AND OTHER PINS: 40mΩ/PIN MAX.  
SHIELD: 50mΩ/MAX.
  - INSULATION RESISTANCE: 100MΩ MIN.
  - DIELECTRIC WITHSTAND VOLTAGE: AC 100V FOR 1 MINUTE.
  - SUPPORT USB3.2 GEN1X1.
- (5) ENVIRONMENTAL PERFORMANCE:
  - OPERATING TEMPERATURE: -40°C~+85°C.



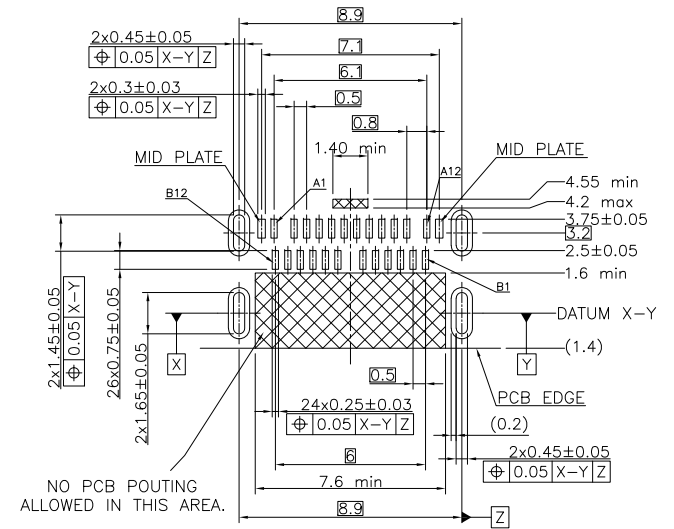
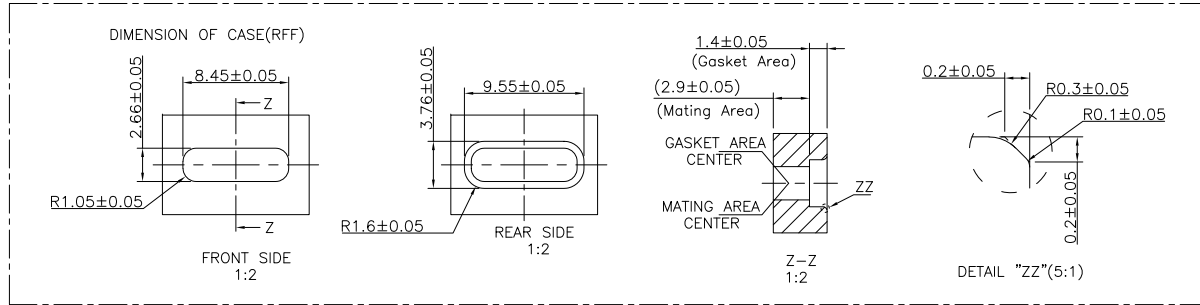
DIM	TOL	DIM	TOL
X.X	±0.30	X.X'	±3.0'
X.XX	±0.20	X.XX'	±2.0'
X.XXX	±0.10	X.XXX'	±1.0'

<b>SUNFUN</b>		<b>SUNFUN TECHNOLOGY LTD</b>			
DRAW NO.	MCCFT-W2M1(A2)	DATE	09/09'25		MATERIAL: SEE NOTES
DESIGN:	Johnson	DATE	09/09'25		FINISH: SEE NOTES
CHECK:	Johnson	DATE	09/09'25		FILE: MCCFT-W2M1(A2)
REVIEW:	Frank	DATE	09/09'25		P/N: MCCFT-W2M1(XXT)
APPROVED	Frank	DATE	09/09'25		REV. A2 SCALE
DRAW NAME:		USB C Type CONN - FEMALE Right Angle- Dual Row 24pin Dip+SMD pin/ Waterproof IPX8			
MODEL:		USB C TYPE CONN			
UNIT:	mm	SHEET:	1/2		

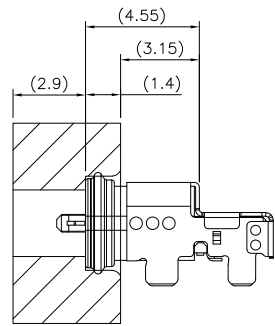
REV.	ECN NO.	LOCATIONS	DESCRIPTION	DATE	DESIGN
A2			Update some details	09/09'25	Johnson

**CUSTOMER DRAWING**

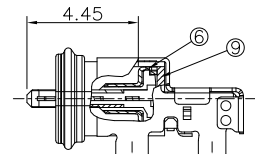
**RoHS Compliant**



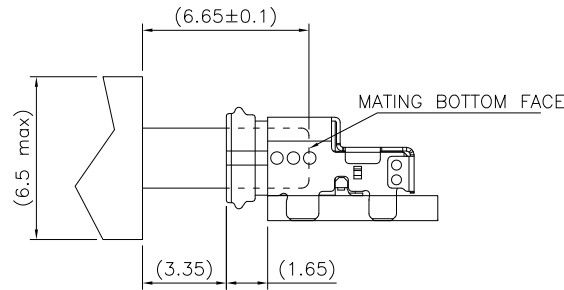
RECOMMENDED P.C.B. LAYOUT  
TOLERANCE UNSPECIFIED ±0.05mm



CASE INTEGRATION CONDITON(REF.)



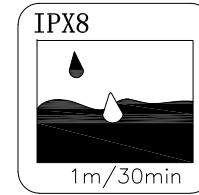
PARTIAL CROSS-SECTION A  
(1:1)



MATED CONDITION (REF.)  
(1:1)

**PIN ASSIGNMENT**

PIN NUMBER	SIGNAL NAME	PIN NUMBER	SIGNAL NAME
A1	GND	B12	GND
A2	SSTXp1	B11	SSRXp1
A3	SSTXn1	B10	SSRXn1
A4	VBUS	B9	VBus
A5	CC1	B8	SBU2
A6	Dp1	B7	Dn2
A7	Dn1	B6	Dp2
A8	SBU1	B5	CC2
A9	VBus	B4	VBus
A10	SSRXn2	B3	SSTXn2
A11	SSRXp2	B2	SSTXp2
A12	GND	B1	GND



DIM	TOL	DIM	TOL
X.X	±0.30	X.X'	±3.0'
X.XX	±0.20	X.XX'	±2.0'
X.XXX	±0.10	X.XXX'	±1.0'

SUNFUN		SUNFUN TECHNOLOGY LTD			
DRAW NO.	MCCFT-W2M1(A2)	DATE	09/09'25	MATERIAL:	SEE NOTES
DESIGN:	Johnson	DATE	09/09'25	FINISH:	SEE NOTES
CHECK:	Johnson	DATE	09/09'25	FILE:	MCCFT-W2M1(A2)
REVIEW:	Frank	DATE	09/09'25	P/N:	MCCFT-W2M1(XXT)
APPROVED	Frank	DATE	09/09'25	REV.	A2
		SCALE		DRAW NAME:	
				USB C Type CONN - FEMALE	
				Right Angle- Dual Row 24pin	
				Dip+SMD pin/ Waterproof IPX8	
				MODEL:	
				USB C TYPE CONN	
				UNIT:	SHEET:
				mm	2/2